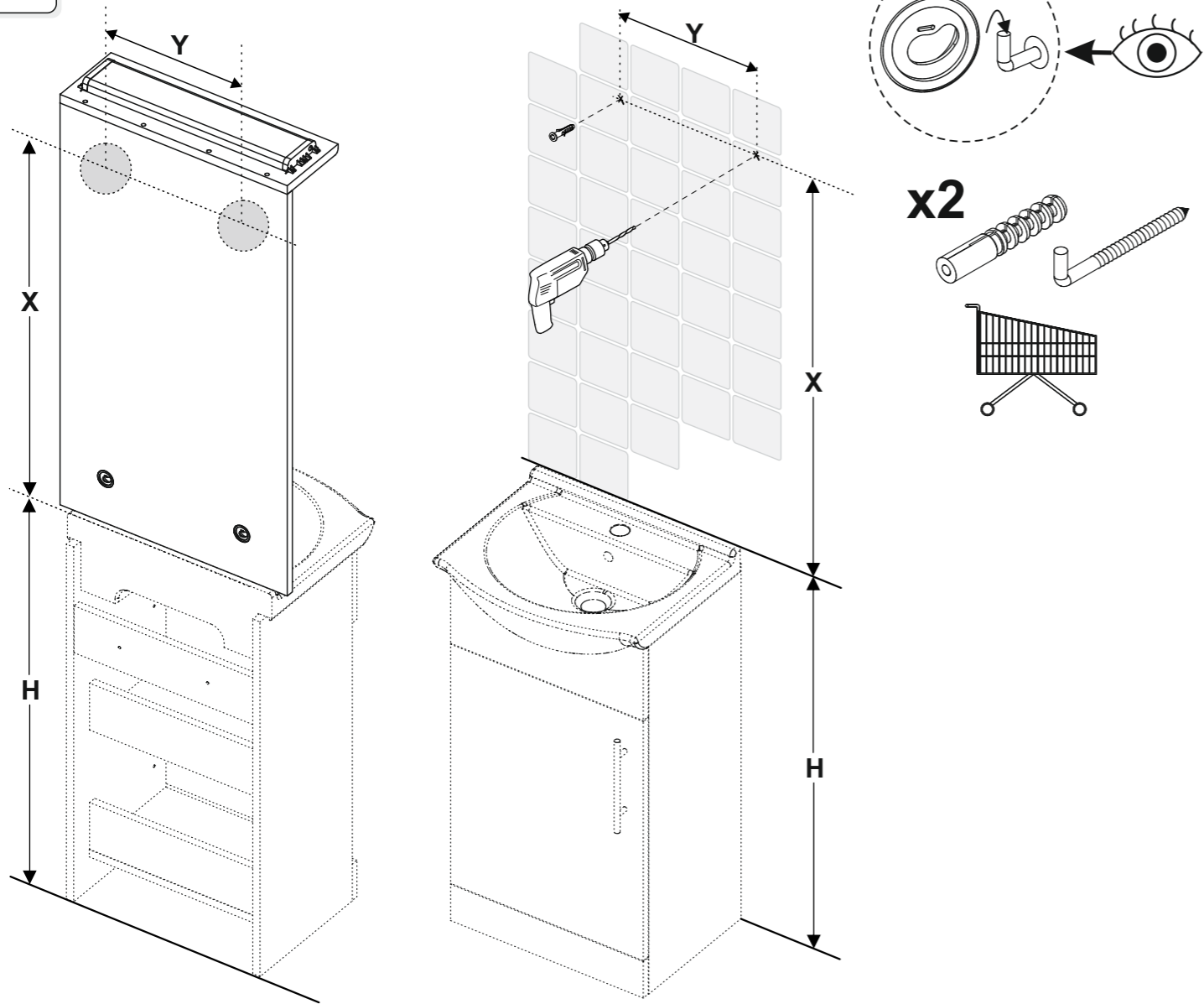
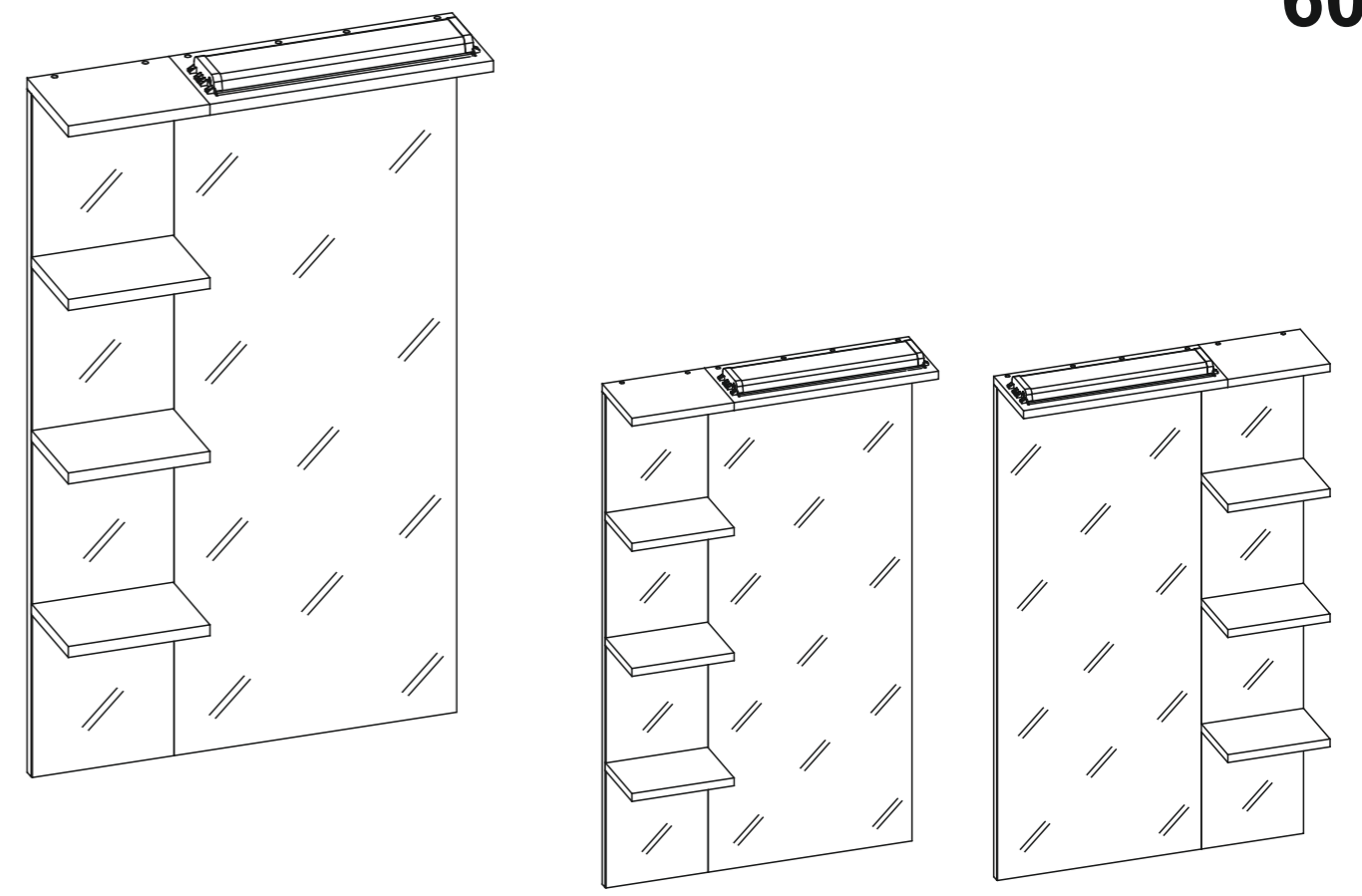


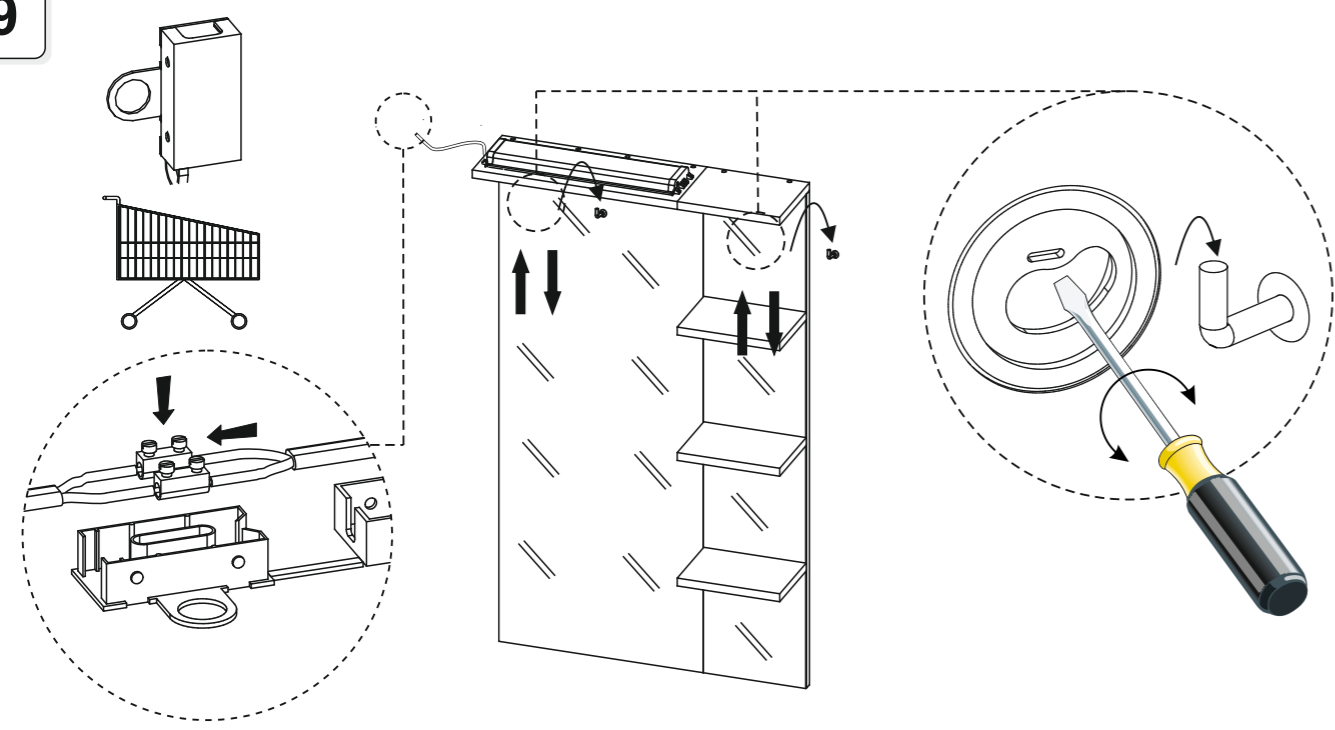
8

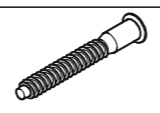
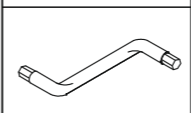
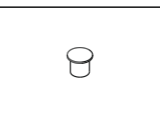
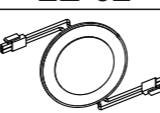
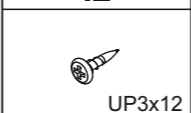
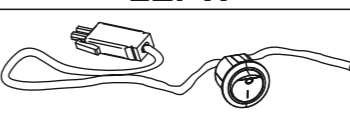

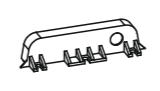
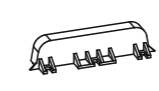


60

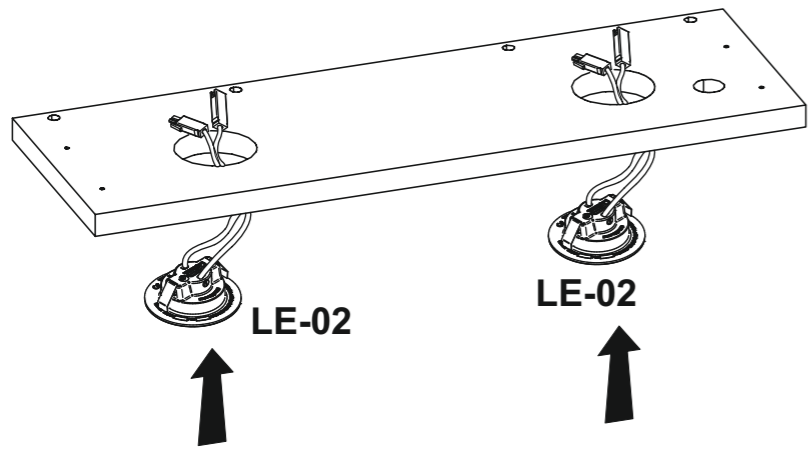


9

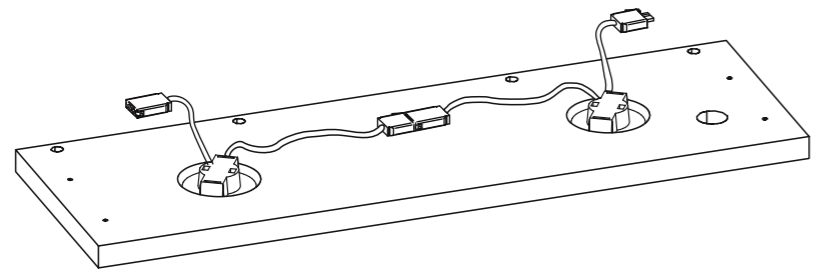


G1  x 12	M  x 1	P0  x 6
LE-02  x 2	I2  UP3x12 x 4	LEPW  x 1
DK-03  x 1	DKZ-01  x 1	DKZ-02  x 1

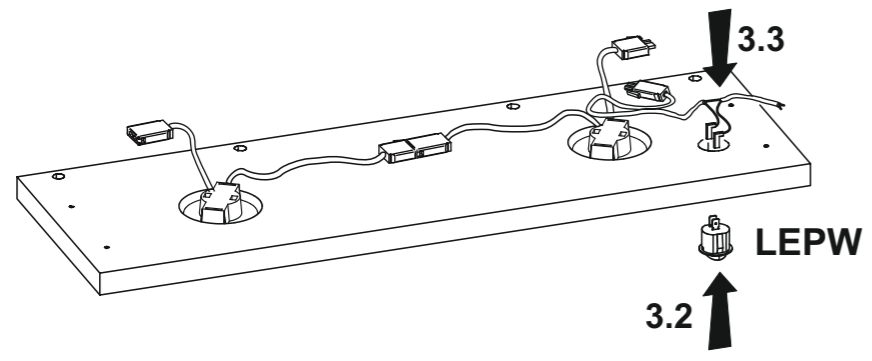
1



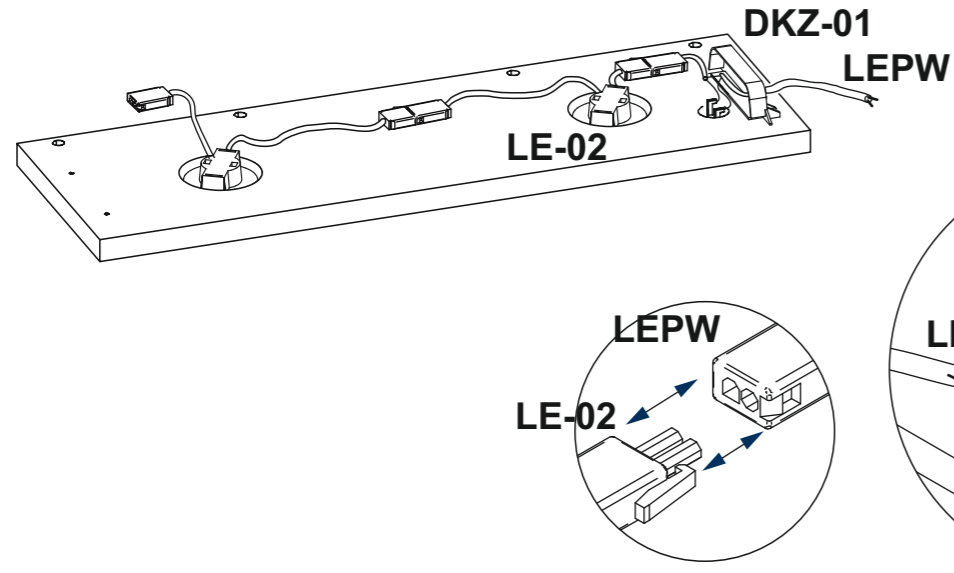
2



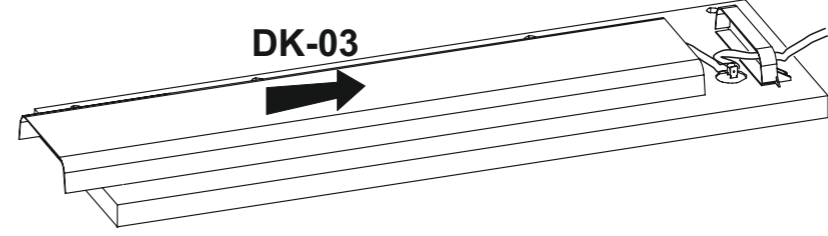
3



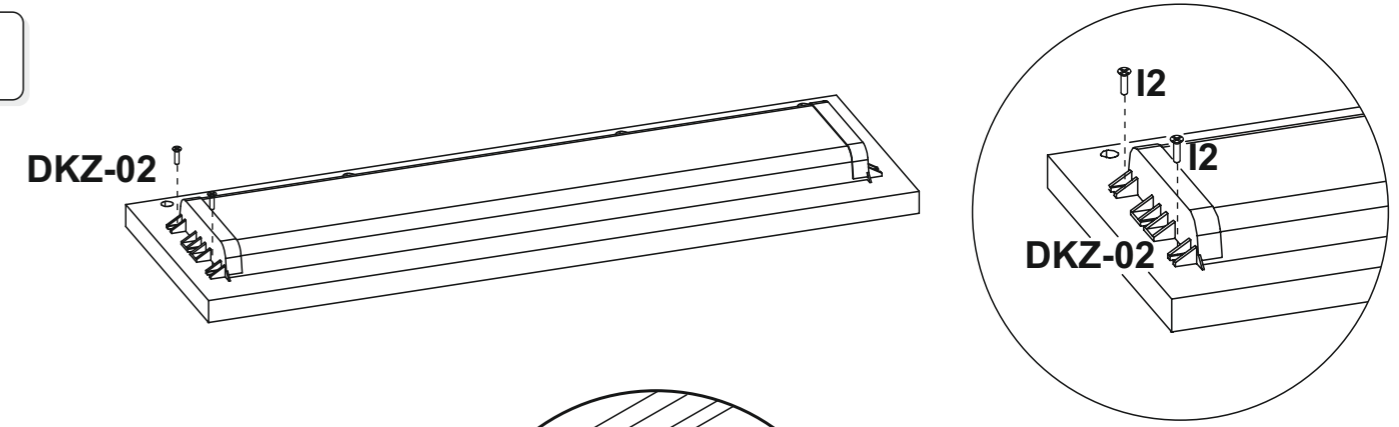
4



5



6



7

